

GE2 Flush Case Inside Release Handle With Safety Flap

Features

- Widely used through several generations of cars, vans and trucks, the 'flush-case' is strong, attractive, and easily fitted
- There is a safety flap for internal locking, which provides visual indication that a door is secured
- Semi-plant-on design for easy installation and adjustment, with 'snap-in' connection, cushioned action
- Lift flap to withdraw latch connection point 'X'
- Safety flap operates separate connecting link to door latch, and blocks main flap
- Handle is bolted to inside door skin through elongated hole / slots in brackets at each end
- Link rods are pressed into connector block and into hole at (either) side of safety flap. Trim panel is fitted over handle, 2-piece bezels will conceal gaps

Material

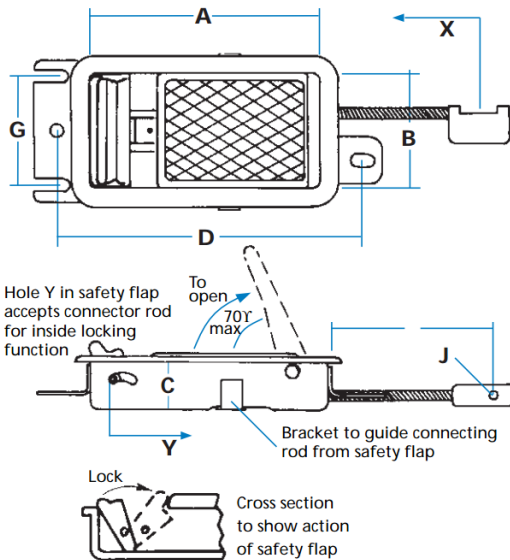
- Case: Mild steel, black powder coated or bright chromium plated
- Flap: Black ABS moulded or zinc die cast chrome finish

Notes

- Trim bezel **G14422** (2 required) sold separately
- Connector rod **G00078** (3.5mm x 1m) also available separately

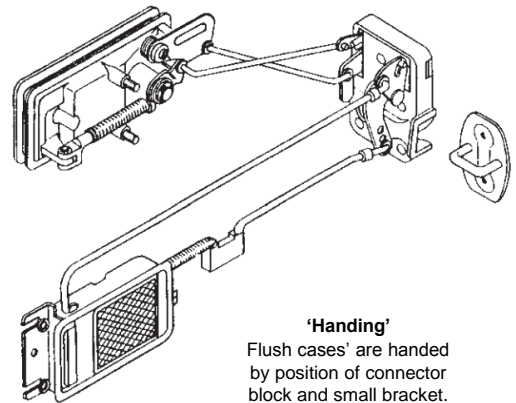


GE2-G29774 (RH version, illustrated with trim bezels **G14422** sold separately)



Installation of 'flush case'

Illustration shows right-side handle with fully interconnected action through door latch to outside handle



'Handing'

Flush cases' are handed by position of connector block and small bracket.

Part No.	Case	Flap	Type	A	B	C	D	E	F	G	H	J	X	Y
GE2-G29774	Black	Black	RH	112	58	20	145	75	15	50	6 x 12	3.5	15	10
GE2-G29775			LH											
GE2-G15610	Chrome	Chrome	RH											
GE2-G15611			LH											
GE2-G15610-01			RH											
GE2-G15611-01			LH											